



MOTOROLA
intelligence everywhere™



MOBILE LAPTOP
COMMUNICATE ON THE MOVE WHEN EVERY MINUTE COUNTS

ML 800

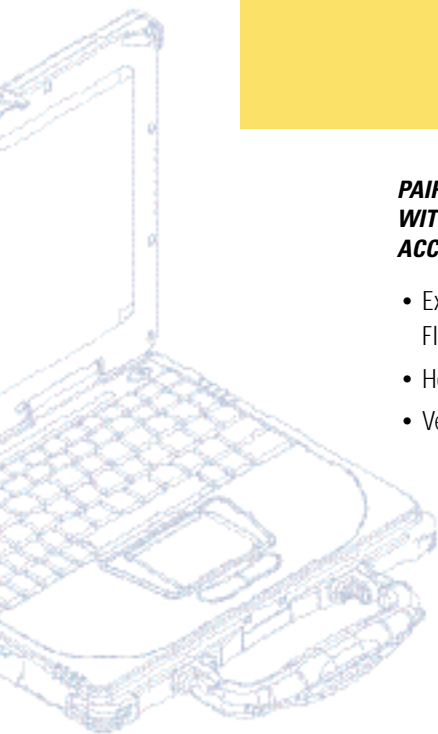


**INTRODUCING THE HIGHLY
PORTABLE SOLUTION FOR HIGH
PRESSURE SITUATIONS**

The Motorola Mobile Laptop 800 (ML 800) is a critical tool for mission-critical situations. This rugged performer offers an exceptional combination of portability, accessibility and versatility. It's mobile and ruggedized. Lightweight and loaded with heavy-duty computer capabilities. Easily docked in a vehicle and conveniently carried on scene.

Send or receive any kind of data, in any emergency, anywhere with ease. From blueprints to fingerprints, mugshots to messages, images are clearly defined and immediately viewable on the sunlight readable, high resolution LCD screen.

Compact, high-powered and super portable, this mobile laptop is the perfect mission-critical tool for the user on the move.



**PAIR YOUR PORTABLE
WITH QUALITY MOTOROLA
ACCESSORIES:**

- External CD ROM and Floppy Drive
- Hot Docking Solution
- Vehicle Battery Charger



**THE ML 800 DELIVERS
ON DEMAND FOR:**

- **Public Safety
(mission-critical)**
- **Federal**
- **Military**
- **Utility**
- **Transportation**

Make the right move for mission-critical mobility



FULL SPECTRUM OF SOFTWARE

The ML 800 runs Windows® 2000 and Windows® XP as well as all Motorola Public Safety software, including AirMobile™, Premier™ MDC and TxMessenger. Its powerful processing capabilities assure instant access to any number of software programs.

VERSATILE VEHICLE MOUNT

Use the ML 800 in or out of a vehicle without having to power it up or power it down. Integrated hot docking capabilities mean it can be carried at a moment's notice. A stand alone dock is also available.

POWERFUL PORTABILITY AND PROVEN DURABILITY

The ML 800 works where you do: enroute, on scene, in an office, or mounted in a vehicle. And it's ruggedized to withstand the most rigorous climatic conditions and user demands. Fully sealed, it meets Military Spec Standards (MIL STD 810E) and Motorola's strict standards for reliability and quality.

HIGH-RESOLUTION, SUNLIGHT READABLE SCREEN

View high quality, detailed graphical images, fingerprints and mugshots clearly in direct sunlight, with the high-resolution XGA LCD screen. A convenient, finger-friendly keyboard provides for rapid inputting of messages and data.

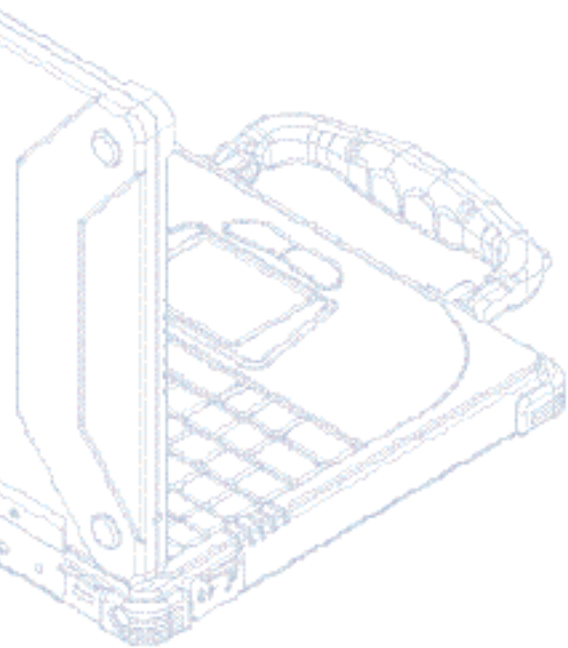
HIGH-SPEED COMPUTER CAPABILITIES

With a high-capacity shock mounted hard drive and fast Intel® Mobile Pentium III processor, the ML 800 is the radio-driven compact laptop that handles a vast array of data quickly and seamlessly. It provides real-time information, right when you need it.

FLEXIBLE CONNECTIVITY

1 PCMCIA Type II CardBus, 2 serial COMports, 1 USBport, 1 DC input, 1 pogo-pinstyle hot-docking port, 1 56Kbps sw modemport, 1 base T-LAN Module, Audio in/out ports.





Motorola and the stylized M logo are registered in the U.S. Patent and Trademark Office. Specifications are subject to change without notice. All other product or service names are the property of their respective owners. ©Motorola, Inc. 2002

DAKOTA Communications

Bismarck ND
Call (701) 223-9581
www.dakcoms.com

